



# Belvac Production Machinery Technical Bulletin

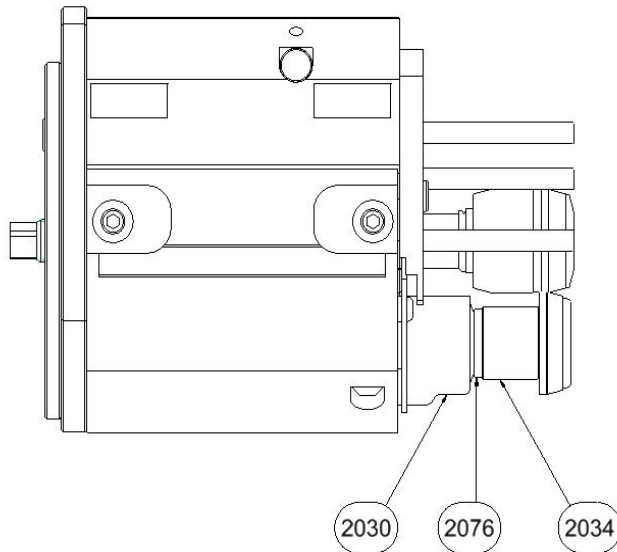
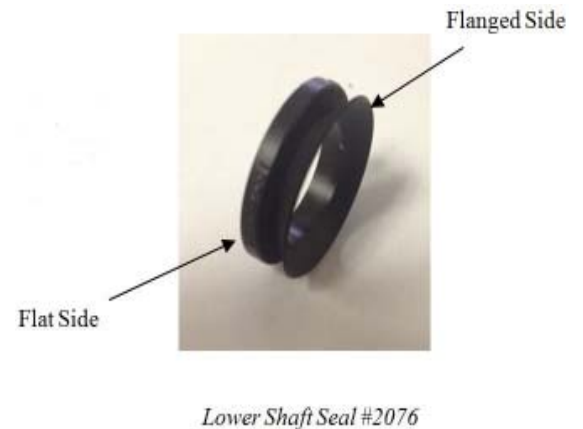
Information for Customers Operating & Maintaining Belvac Machines

ISSUE 4, VOLUME 16, JULY 2013

## CC SERIES TRIMMER: EMC CARTRIDGE LOWER SHAFT SEAL

As of July 2013, Belvac updated all EMC Cartridge designs to include a lower shaft seal.

The lower shaft seal #2076 is called out as part number C101439. This new part is a rubber v-ring that has a flat and flanged side, as clarified in the picture to the right. Installing the v-ring prevents possible contaminant buildup within the cartridge, potentially increasing bearing life.



The mounting for lower shaft seal #2076 on an EMC Cartridge is shown to the left. Lower shaft seal #2076 is fastened onto lower shaft #2034, between the shoulder of lower shaft #2034 and the edge of lower shaft bearing #2030. **For mounting orientation, the flanged side of lower shaft seal #2076 must be pressed against lower shaft bearing #2030.**

*EMC Lower Shaft Seal #2076  
Mounting Schematic*

To order this part or if you have any questions, please contact Belvac's Service Department.