



Belvac Production Machinery Technical Bulletin

Information for Customers Operating & Maintaining Belvac Machines

ISSUE 05 VOL. 6 APRIL 2003

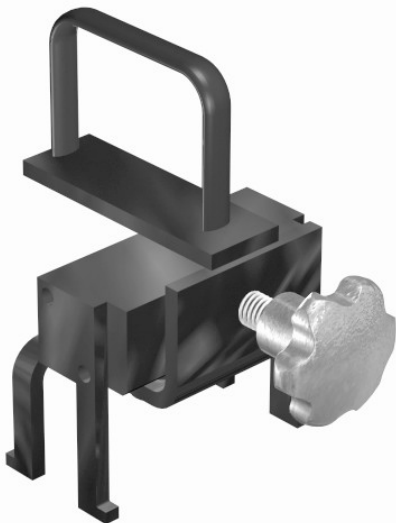
CC93/CC95 Trimmer Handle and EMC Transport Fixture

This bulletin supercedes Issue 16, Volume 1, dated August 1997.

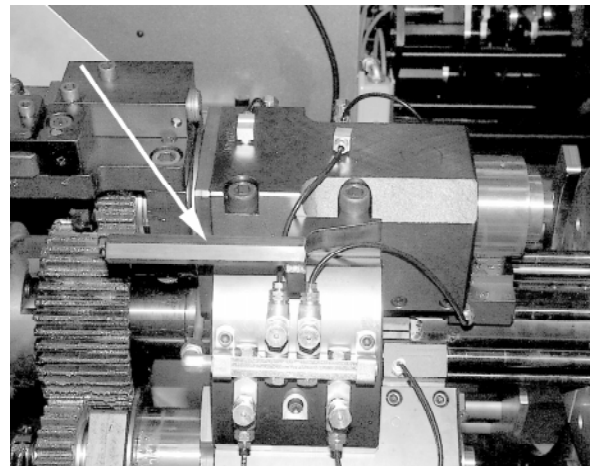
Directly replacing the Heavy Duty Cartridge design, Belvac's new patent pending Easy Maintenance Cartridge (EMC) is a unique, high precision cutting tool, with design attributes inspired by customer input. One of these attributes is the ability to set the knife gap externally of the cartridge, through precision setting of the upper and lower cartridge halves.

The precision setting of the upper and lower cartridge halves is integral to maintaining knife clearance. If the EMCs are improperly used to manually rotate the machine, the cartridge halves' precision setting could be compromised. Because of this, Belvac designed a handle that installs onto the spindle assembly for manual machine rotation during maintenance, rather than onto the cartridge. The spindle assembly handles were designed to remain permanently on the machine to be used for manual rotation during maintenance.

For proper removal and/or installation and transport of the EMC to and from the machine, Belvac has designed an EMC Transport Fixture.



EMC Transport Fixture
#9310099



Trimmer Handle Kit
#9310113
(in place)

continued on back ...

Trimmer Handle Kit

9310113

This kit consists of Qty (3) handles (Ref. #9310112) and Qty (3) mounting bolts (Ref. H11935): a full complement for a 3-head Trimmer.

EMC Transport Fixture

9310099

This spring-loaded fixture engages four cast-in housing lugs on the EMC, ensuring security during transport. The full handle design allows positive grip capability.

The transport fixture is NOT to be used to manually rotate the machine: damage to both the cartridge and fixture may result from such action.

Effective March 2003, all new trimmers incorporating EMC cartridges come standard with the trimmer handles. A transport fixture is likewise standard with new trimmer orders.

Contact Belvac Sales or Service Representatives for ordering information.

All Technical Bulletins may be viewed on Belvac's web site, www.belvac.com.