



Belvac Production Machinery Technical Bulletin

Information for Customers Operating & Maintaining Belvac Machines

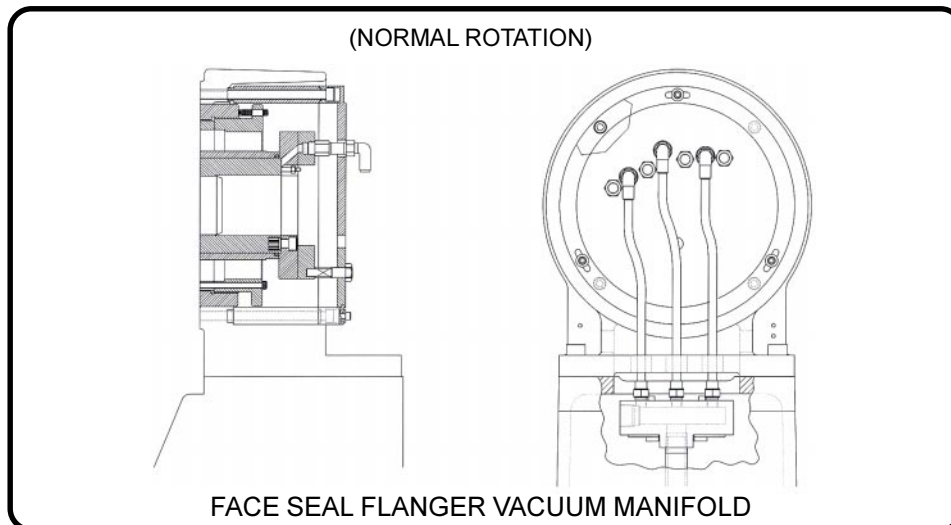
ISSUE 02 VOL. 6 APRIL 2003

Please Note: This bulletin supercedes Issue 02, Volume 5, dated June 2002.

Flanger Face Seal Manifold (FFSM) Vacuum Conversion Kits

Belvac offers FFSM conversion kits for customers preferring a Face Seal design concept over that of the conventional non-contact design. The Face Seal design offers the following features:

- Manifold/Rotor interface minimizes vacuum losses.
- Manifold is self-supporting and compensates for run-out and side loads.
- Conversion kits are directly retrofittable to both Fixed Base and Modular Base 595K and non-K Flanger Turrets.
- Design accommodates full range of can heights, ensuring consistent holding pressure between the Rotor and the Manifold.



FIXED BASE (595K and non-K) Conversion Kits:

- **2709057**, ASM-FFSM Flanger 595K Fabricated Push Cam Support, Normal Rotation
- **2709058**, ASM-FFSM Flanger 595K Fabricated Push Cam Support, Reverse Rotation
- **2709059**, ASM-FFSM Flanger 595K Cast Push Cam Support Fixed Base, Normal Rotation
- **2709060**, ASM-FFSM Flanger 595K Cast Push Cam Support Fixed Base, Reverse Rotation

continued on back...

MODULAR BASE (595K and non-K) Conversion Kits:

- **2752729**, ASM-FFSM Flanger 595K Cast Push Cam Support Mod., Normal Rotation
- **2752737**, ASM-FFSM Flanger 595K Cast Push Cam Support Mod., Reverse Rotation

The face seal Flanger Vacuum Manifold is available on new Modular Base Flanger Turrets as an upchargeable option.

Contact Belvac Sales or Service Representatives for ordering information.

All Belvac Technical Bulletins may be viewed on Belvac's web site, www.belvac.com.